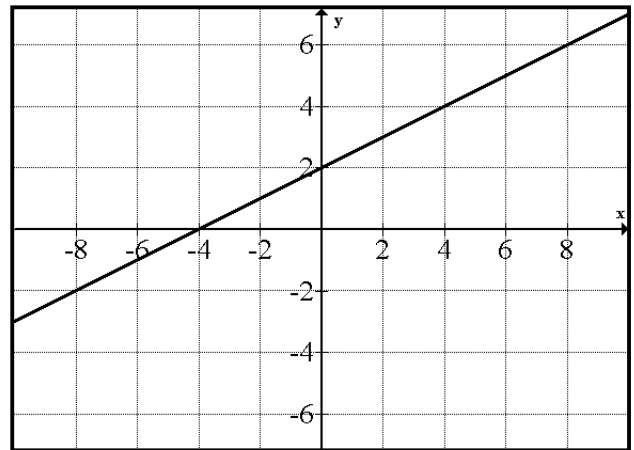


## Intermediate 2 – Homework 3

### Non-calculator section:

- Expand the brackets and simplify  
 $(x + 3)(x^2 - 3x + 9)$
- Solve the pair of equations given below  
 $3m + 4n = 7$   
 $2m - 3n = 16$
- Simplify  $\frac{x^2 - 9}{2x^2 + 6x}$

- Find the equation of the line shown opposite.

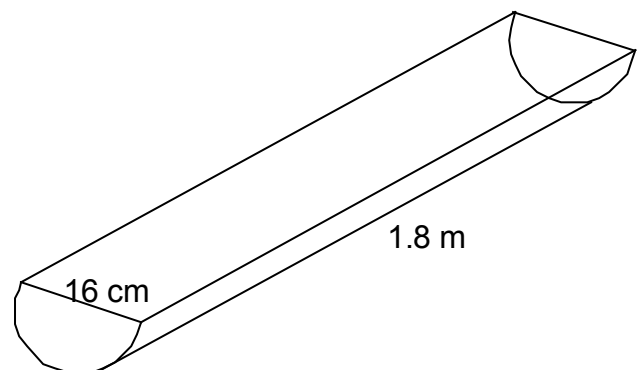


### Calculator section:

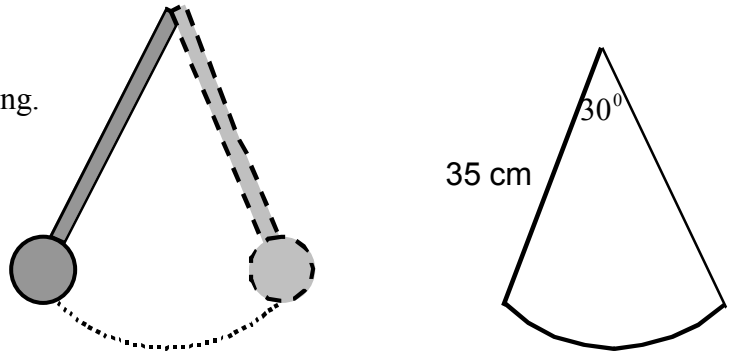
- A car valued at £7800 new depreciates in value by 14% in each of its first two years and by 9% in its third year. Find the value of the car after three years. **Give your answer correct to two significant figures.**



- The diagram opposite shows part of a rainwater gutter. The ends of the gutter are semi-circular in shape. Calculate the volume of the gutter.

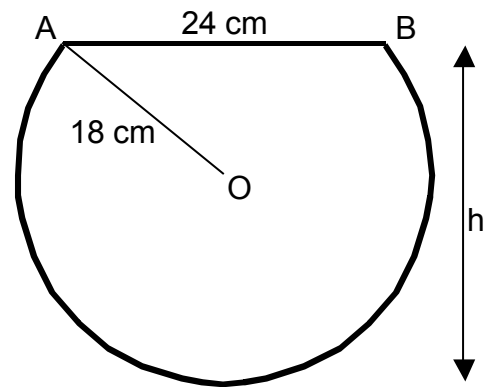


7. The pendulum of a clock is 35 cm long. It swings through an angle of  $30^\circ$ . Calculate the length the pendulum travels in one swing.



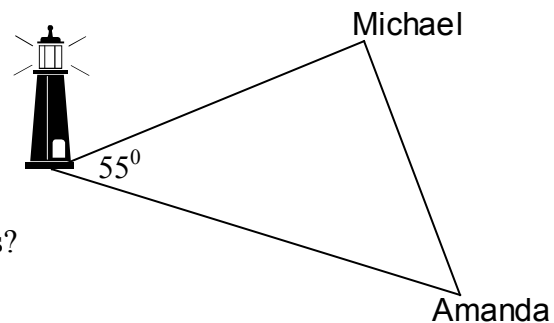
8. A logo for a company is in the shape of a circle with a horizontal top. The radius  $OA$  of the circle is 18 cm and the distance  $AB$  is 24 cm.

Calculate  $h$ , the height of the logo.



9. The diagram shows the directions walked by Amanda and Michael after they leave a lighthouse. Michael walks at a speed of 3.6 kmph and Amanda walks at a speed of 4.2 kmph.

How far apart will Amanda and Michael be after 3 hours?



10. The marks of 24 pupils in a test are shown below.

1	0 3 9
2	1 4 5 7 9
3	2 3 3 5 6 7
4	0 0 1 1 2 2 2 4 8 9

3 | 4 represents 34  
n = 24

- (a) Show this information in a boxplot.  
(b) Find the semi-interquartile range of these marks.